

# Technical data sheet



## Product features

### Slicer, blade 300 XL mm plain

<b>Model</b>	<b>SAP Code</b>	00020273
--------------	-----------------	----------



- Blade type: Smooth
- Blade diameter [mm]: 300
- Cutting thickness [mm]: 1-14
- Transfer type: Strappy
- Material: Aluminium
- Safety cover: transparent plexiglass
- Safety element: Two buttons on off switch.

safety cover

- Table position: Oblique
- On/Off button: Yes

<b>SAP Code</b>	00020273	<b>Power electric [kW]</b>	0.220
<b>Net Width [mm]</b>	470	<b>Loading</b>	230 V / 1N - 50 Hz
<b>Net Depth [mm]</b>	570	<b>Blade type</b>	Smooth
<b>Net Height [mm]</b>	470	<b>Blade diameter [mm]</b>	300
<b>Net Weight [kg]</b>	26.00	<b>Cutting thickness [mm]</b>	1-14

# Technical data sheet



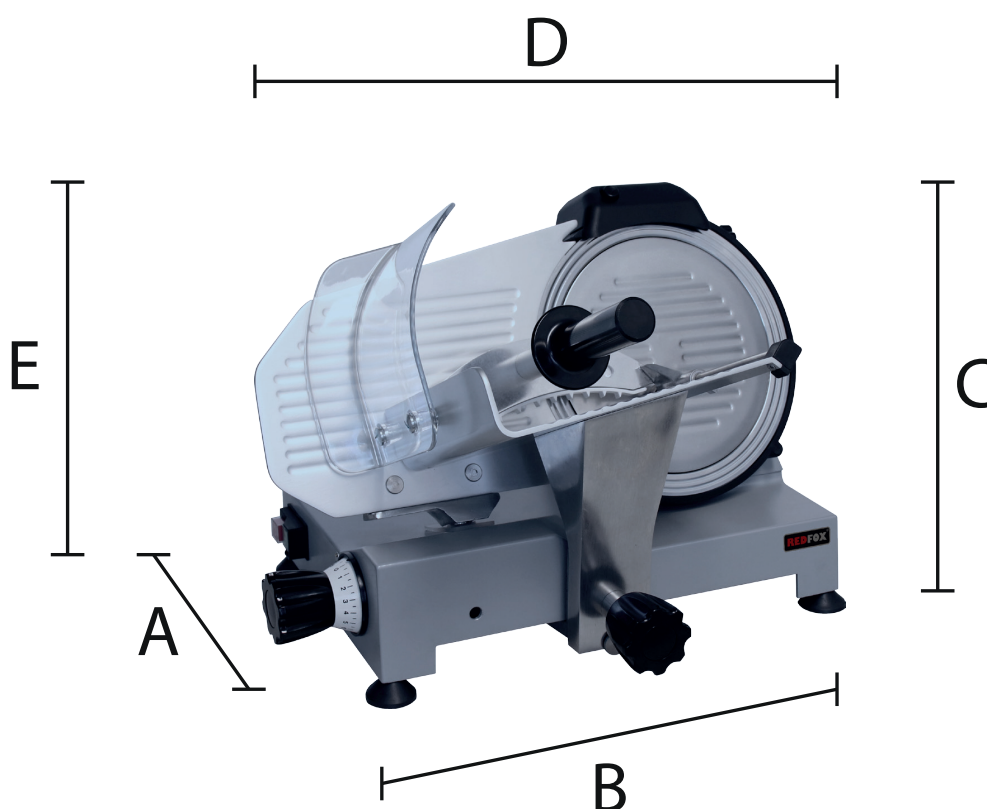
Technical drawing

Slicer, blade 300 XL mm plain

Model

SAP Code

00020273



Model	Rozměry (cm)	Váha (kg)	Elektrické připojení
GSP 250	30 x 44 x 41 x 51 x 39	13,5	230 x 50 x 1
GSP 275	30 x 44 x 41 x 53 x 42	14,2	230 x 50 x 1
GSP 300	30 x 44 x 41 x 55 x 42	16	230 x 50 x 1
GSP 300 XL	33 x 48 x 47 x 57 x 47	23	230 x 50 x 1

# Technical data sheet



## Product benefits

### Slicer, blade 300 XL mm plain

Model

SAP Code

00020273

**1** | **The slicer is built with polished cast aluminum.**  
strength, high corrosion resistance, thermal conductivity  
– longer service life of the cutting machine

**2** | **Very sturdy and easy to use and clean with little maintenance.**  
easy to use and clean  
– time savings

**3** | **Excellent for cutting meats, vegetables and cheeses.**  
variability of use for different foods  
– cost savings

**4** | **The blade is made in non sticking steel with special grooves.**  
the food does not stick, the flow of work  
– time saving, uncomplicated work

**5** | **Fixed sharpening with bowl to maintain stones clean from food residues.**  
the possibility of sharpening the knife without adding a sharpener  
– saving time, manpower, costs

**6** | **Sliding carriage on teflon bushings with an heavy duty food holder with removable nails for easy cleaning.**  
fluidity of work, easy cleaning  
– saving human labor, time

**7** | **Removing carriage with block sail according to security rules.**  
the food cart can be removed  
– higher safety, easy cleaning

**8** | **Strong fan silenced professional motor.**  
lower noise  
– health protection

**9** | **Two buttons on off switch.**  
safety feature  
– health protection, safety

**10** | **The slicer was designed and manufactured according to international standards for safety, hygiene and food contact.**  
meets strict safety and hygiene standards  
– higher safety, hygiene

**11** | **Slicing thickness 0-14 mm.**  
variability of the thickness of the sliced product  
– cost savings

**12** | **According to the CE rules professional use.**  
use in highly specialized and professional operations  
– professional product - prestige

# Technical data sheet



## Technical parameters

### Slicer, blade 300 XL mm plain

Model

SAP Code

00020273

**1. SAP Code:**

00020273

**2. Net Width [mm]:**

470

**3. Net Depth [mm]:**

570

**4. Net Height [mm]:**

470

**5. Net Weight [kg]:**

26.00

**6. Gross Width [mm]:**

520

**7. Gross depth [mm]:**

660

**8. Gross Height [mm]:**

500

**9. Gross Weight [kg]:**

30.00

**10. Device type:**

Electric unit

**11. Material:**

Aluminium

**12. Exterior color of the device:**

Grey

**13. Power electric [kW]:**

0.220

**14. Loading:**

230 V / 1N - 50 Hz

**15. Control type:**

Electric

**16. Safety cover:**

transparent plexiglass

**17. Safety element:**

Two buttons on off switch.

safety cover

**18. Engine protection:**

fan and overheating protection

**19. Safety Microswitch:**

Yes

**20. Adjustable feet:**

Yes

**21. Main switch:**

Yes

**22. Start /stop:**

Yes

**23. Transfer type:**

Strappy

**24. Standard equipment for device:**

whetstone

**25. Additional information:**

Noise N. 62 DB

**26. Blade type:**

Smooth

# Technical data sheet



Technical parameters

Slicer, blade 300 XL mm plain

Model

SAP Code

00020273

**27. Blade diameter [mm]:**

300

**28. On/Off button:**

Yes

**29. Removable moving table:**

Yes

**30. Anti-adhesive blade treatment:**

Yes

**31. Table position:**

Oblique

**32. Blade cover material:**

Plastic

**33. Sharpening device:**

Integrated

**34. Cutting thickness [mm]:**

1-14

**35. Cross-section of conductors CU [mm<sup>2</sup>]:**

0,5

- Výkon (kW): 2,4-3,3 (230 V)